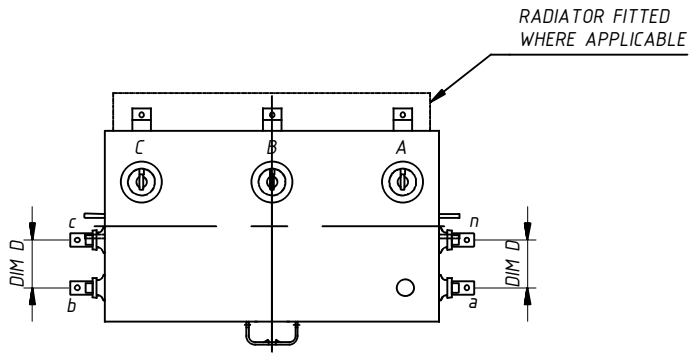
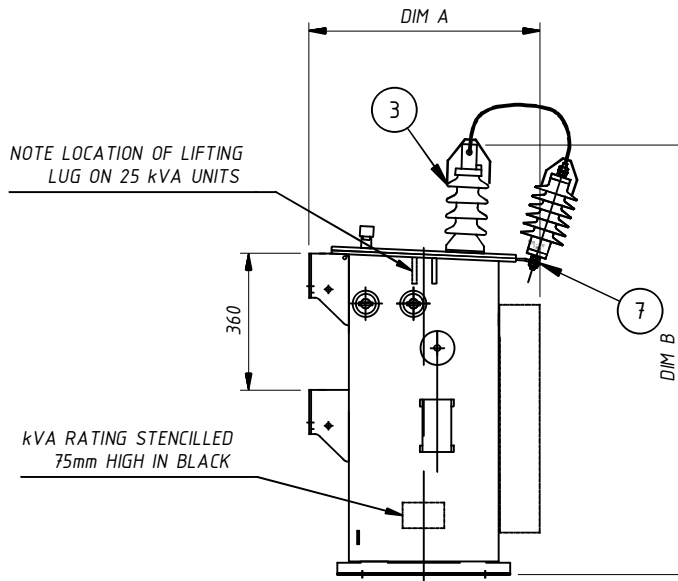
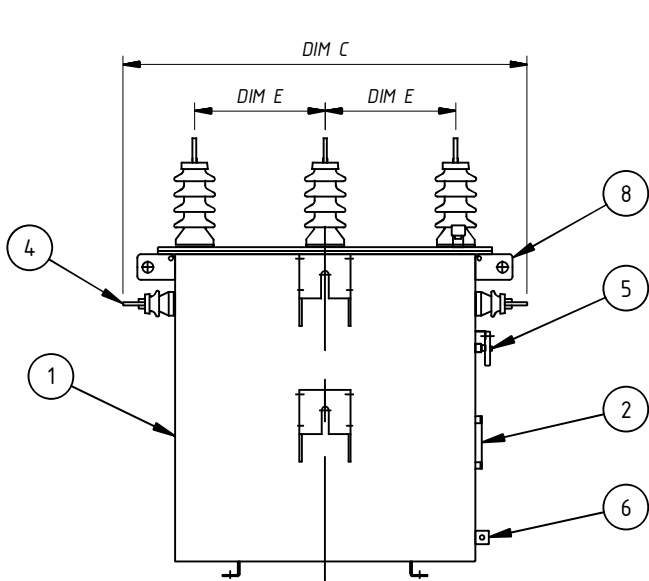


PART NO.	ESSENTIAL ENERGY No.	kVA	HV (V)	OIL VOL (L)	WEIGHT (kg)	A (mm)	B (mm)	C (mm)	D (mm)	E (mm)
25M4JE	252110	25	11000	120	400	600	1000	920	140	300
63M4JE	252200	63	11000	135	490	570	1050	970	140	300
25M5JE	252980	25	22000	130	390	570	1050	970	140	390
63M5JE	253070	63	22000	185	585	685	1175	1050	140	390



ELECTRICAL CLEARANCES IN AIR (mm)					
		11 kV		22 kV	
		PHASE - PHASE	PHASE - EARTH	PHASE - PHASE	PHASE - EARTH
HV		250	160	330	280
LV		100	60	100	60

CONTRACT NO. : CEOS5120.02



ITEM	DESCRIPTION
1	TESTED FINAL ASSEMBLY
2	RATING PLATE
3	PORCELAIN HV BUSHING
4	PORCELAIN LV BUSHING
5	TAPSWITCH
6	EARTH LUG
7	SURGE ARRESTOR MOUNTING BRACKET
8	LIFTING LUGS $\varnothing 32$ mm HOLE

TYREE INDUSTRIES PTY LTD is the owner of the copyright subsisting in this drawing and these designs, specifications and instructions. They must not be used, reproduced or copied in whole or in part, in any form by any means, nor may the information therein contained, which is confidential to TYREE INDUSTRIES PTY LTD.

This drawing has been delivered and received on the express conditions that it may be used only for the specific purpose for which it was provided, may not be used in any way which will injure or cause loss directly or indirectly to TYREE INDUSTRIES PTY LTD or any related corporation and will be returned to TYREE INDUSTRIES PTY LTD immediately on completion of the task for which it has been provided on demand.

No.	DATE:	BY:	CHK'D	APP'D	HISTORY
C	07/02/2014	M.H		NM	Given drawing number 0550-7000
B	04/02/2014	M.H		NM	Update oil vol, mass and dims.
A	05/08/11	JW			INITIAL RELEASE

3rd ANGLE PROJECTION  
 DEBURR & BREAK  
 ALL SHARP EDGES  
 DO NOT SCALE

**TYREE** TYREE INDUSTRIES P/L  
 TYREE PLACE, MITTAGONG, NSW 2575 AUSTRALIA  
 ABN: 12 100 920 063  
 TELEPHONE: +61 2 4872 6165  
 FACSIMILE: +61 2 4872 1542  
 tpsales@tyree.com.au

UNLESS OTHERWISE SPECIFIED  
 DIMENSIONS ARE IN MILLIMETRES  
 TOLERANCES: AS NOTED  
 LINEAR: AS NOTED  
 ANGULAR: AS NOTED

FINISH: AS NOTED

TITLE:  
**3 PHASE TRANSFORMER  
 GENERAL ARRANGEMENT  
 LIDMOUNT  
 PORCELAIN BUSHINGS  
 ESSENTIAL ENERGY**

PROJECT REF: PROJECT REF  
 CAD FILE  
 SCALE: N.T.S.  
 SHEET No. 1

DRG. No. **0550-7000** REVISION **C A4**