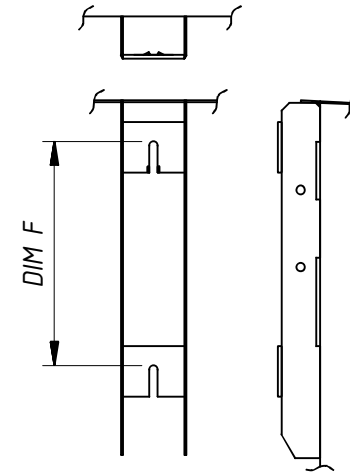
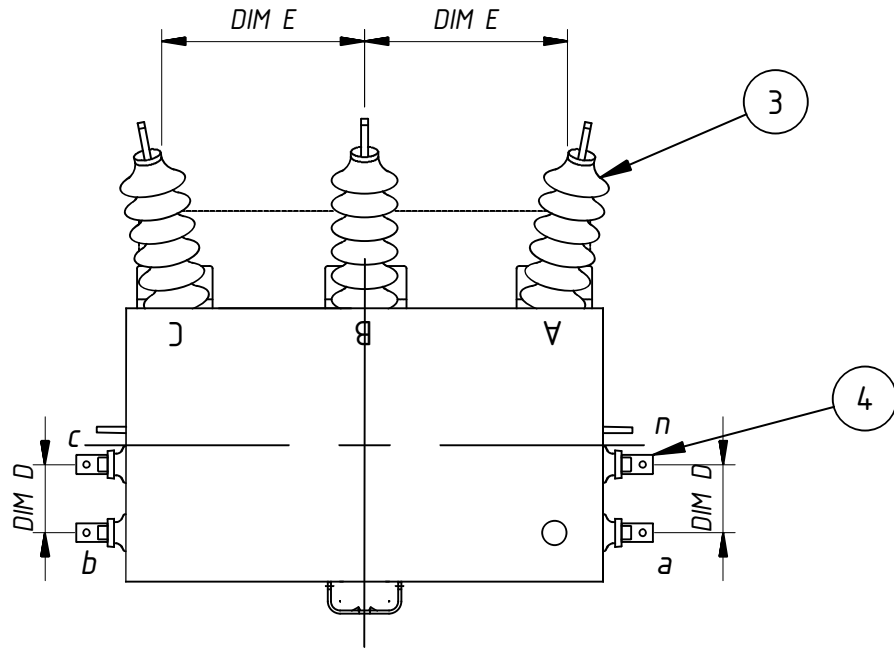


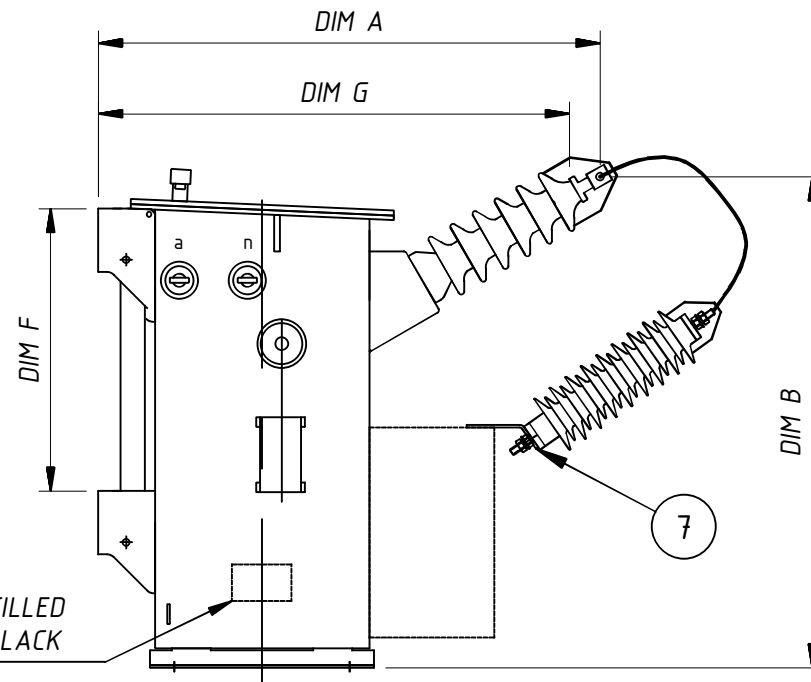
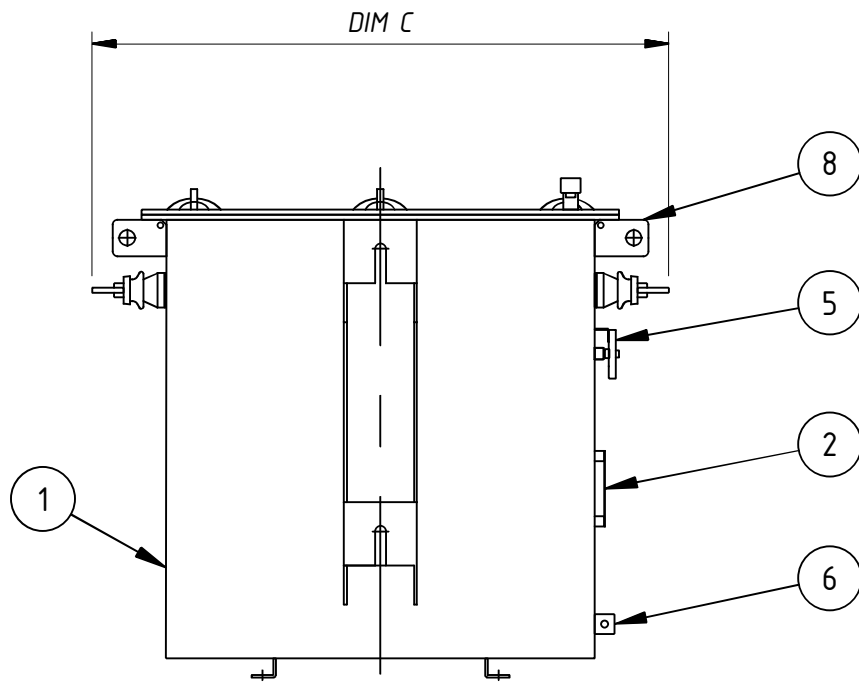
PART NO.	ESSENTIAL ENERGY No.	kVA	HV (V)	OIL VOL (L)	WEIGHT (kg)	A (mm)	B (mm)	C (mm)	D (mm)	E (mm)	F (mm)	G (mm)
25M6JE	254120	25	33000	250	590	1030	950	1150	140	470	360	980
63M6JE	254140	63	33000	280	780	1060	1050	1200	140	470	360	1000



POLE-HANGING BRACKET

CONTRACT NO. : CEOS5120.02

	ELECTRICAL CLEARANCES IN AIR (mm)	
	PHASE - PHASE	PHASE - EARTH
HV	440	380
LV	100	60



kVA RATING STENCILED
75mm HINGH IN BLACK

ITEM	DESCRIPTION
1	TESTED FINAL ASSEMBLY
2	RATING PLATE
3	HV BUSHING, PORCELAIN 33KV
4	LV BUSHING, ESAA 2/3/2 14mm DIA PALM HOLE
5	TAPSWITCH
6	EARTH LUG
7	SURGE ARRESTOR MOUNTING BRACKET
8	LIFTING LUGS ø32mm HOLE

TYREE INDUSTRIES PTY LTD is the owner of the copyright subsisting in this drawing and these designs, specifications and instructions. They must not be used, reproduced or copied in whole or in part, in any form by any means, nor may the information therein contained, which is confidential to TYREE INDUSTRIES PTY LTD.

This drawing has been delivered and received on the express conditions that it may be used only for the specific purpose for which it was provided, may not be used in any way which will injure or cause loss directly or indirectly to TYREE INDUSTRIES PTY LTD or any related corporation and will be returned to TYREE INDUSTRIES PTY LTD immediately on completion of the task for which it has been provided on demand.

No.	DATE:	BY:	CHK'D	APP'D	HISTORY
C	07/02/2014	MJH	NM		Given drawing number 0550-6950.
B	04/02/2014	MJH	NM		Removed non-Essential Energy jobs. Updated mass, oil vol. and dims.
A	05/08/11	JW			INITIAL RELEASE

3rd ANGLE PROJECTION
DEBURR & BREAK
ALL SHARP EDGES
DO NOT SCALE

TYREE TYREE INDUSTRIES P/L
TYREE PLACE, MITTAGONG, NSW 2575 AUSTRALIA
ABN: 12 100 920 063
TELEPHONE: +61 2 4872 6165
FACSIMILE: +61 2 4872 1542
tpt.sales@tyree.com.au

UNLESS OTHERWISE SPECIFIED
DIMENSIONS ARE IN MILLIMETRES
TOLERANCES: AS NOTED
LINEAR: AS NOTED
ANGULAR: AS NOTED
FINISH: AS NOTED

TITLE:
**3 PHASE TRANSFORMER
GENERAL ARRANGEMENT
33kV FRONT MOUNT
PORCELAIN BUSHINGS
ESSENTIAL ENERGY**

PROJECT REF: PROJECT REF
CAD FILE
SCALE: N.T.S.
SHEET No. 1

DRG. No. **0550-6950** REVISION **C** **A3**