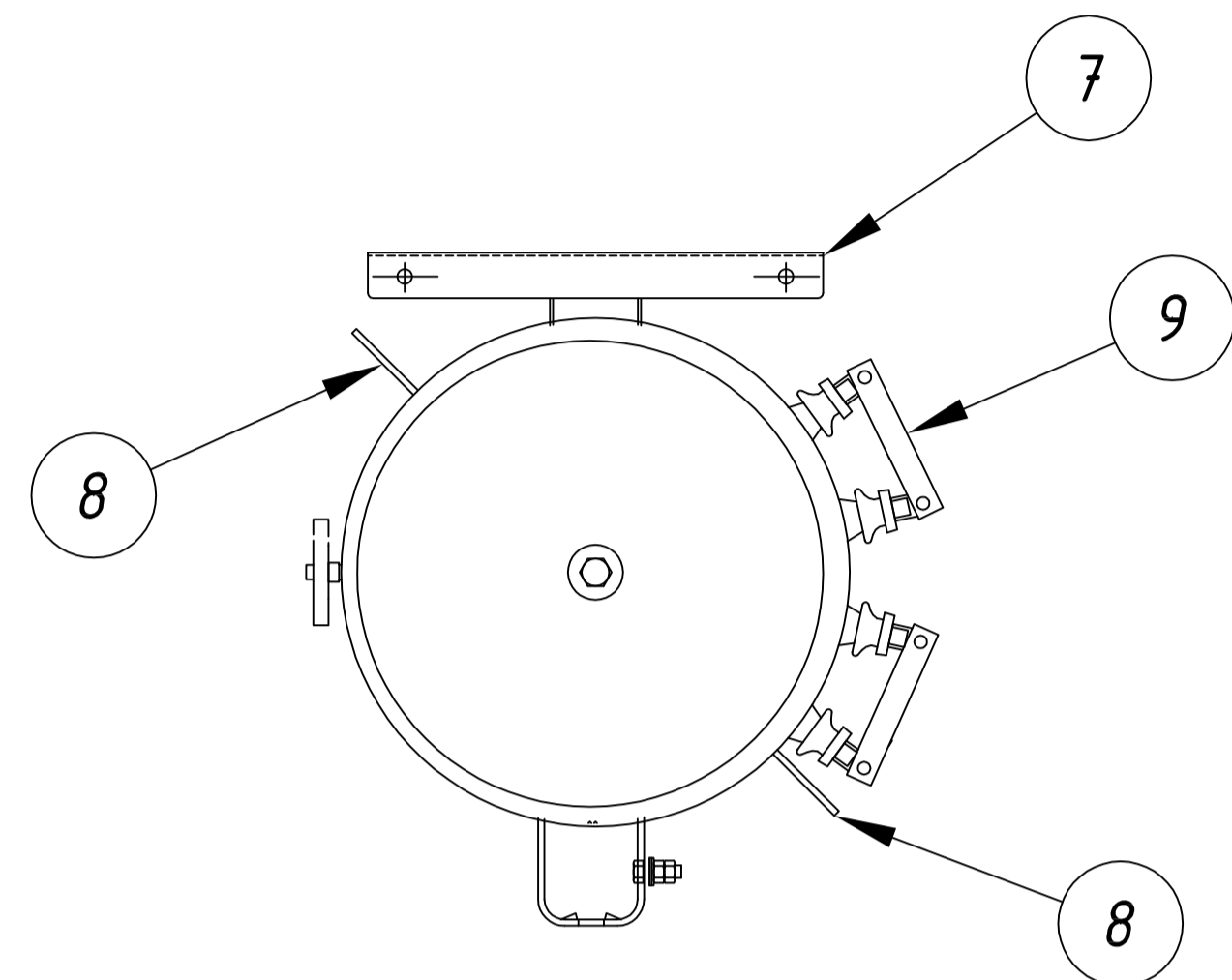
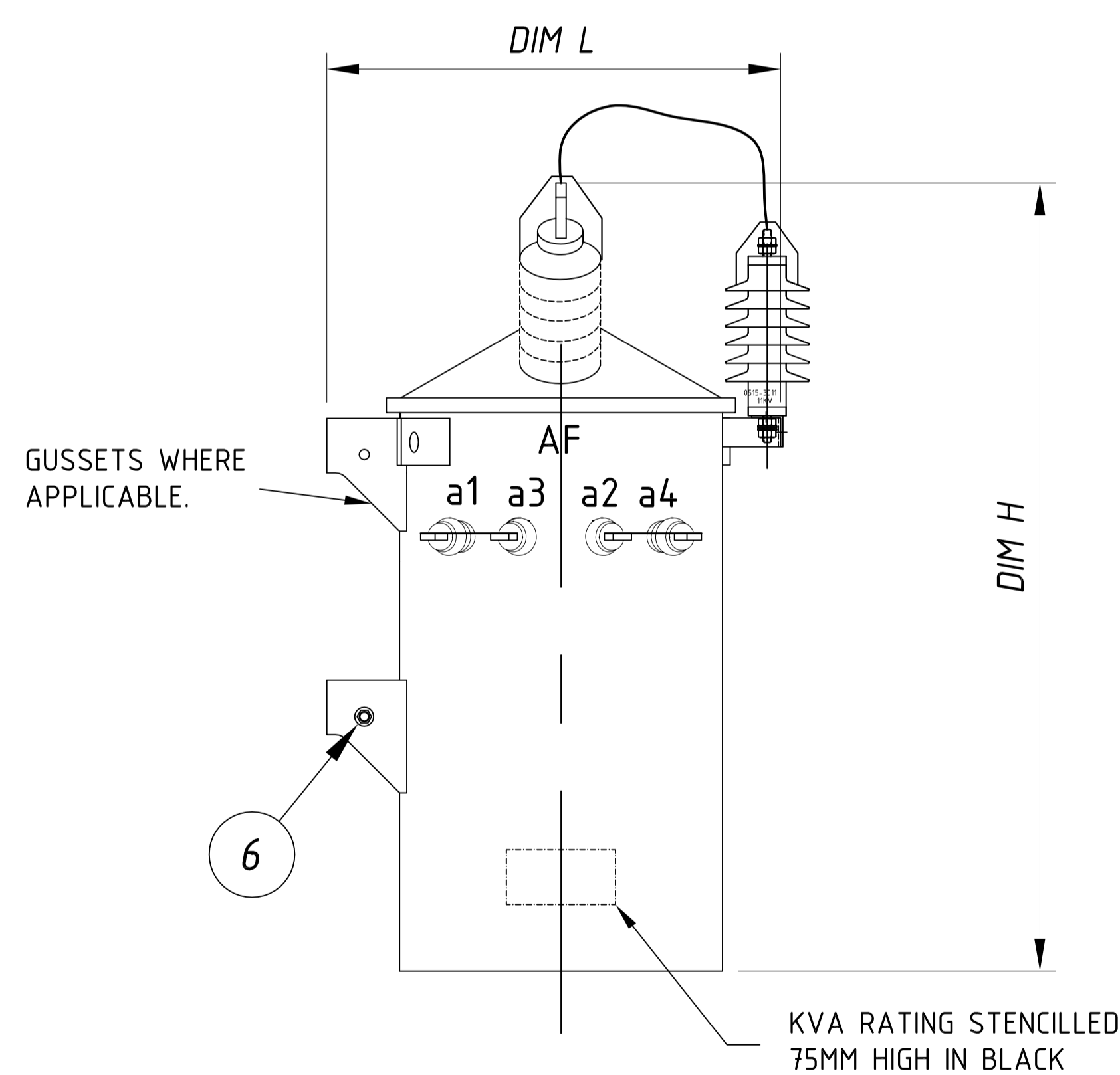
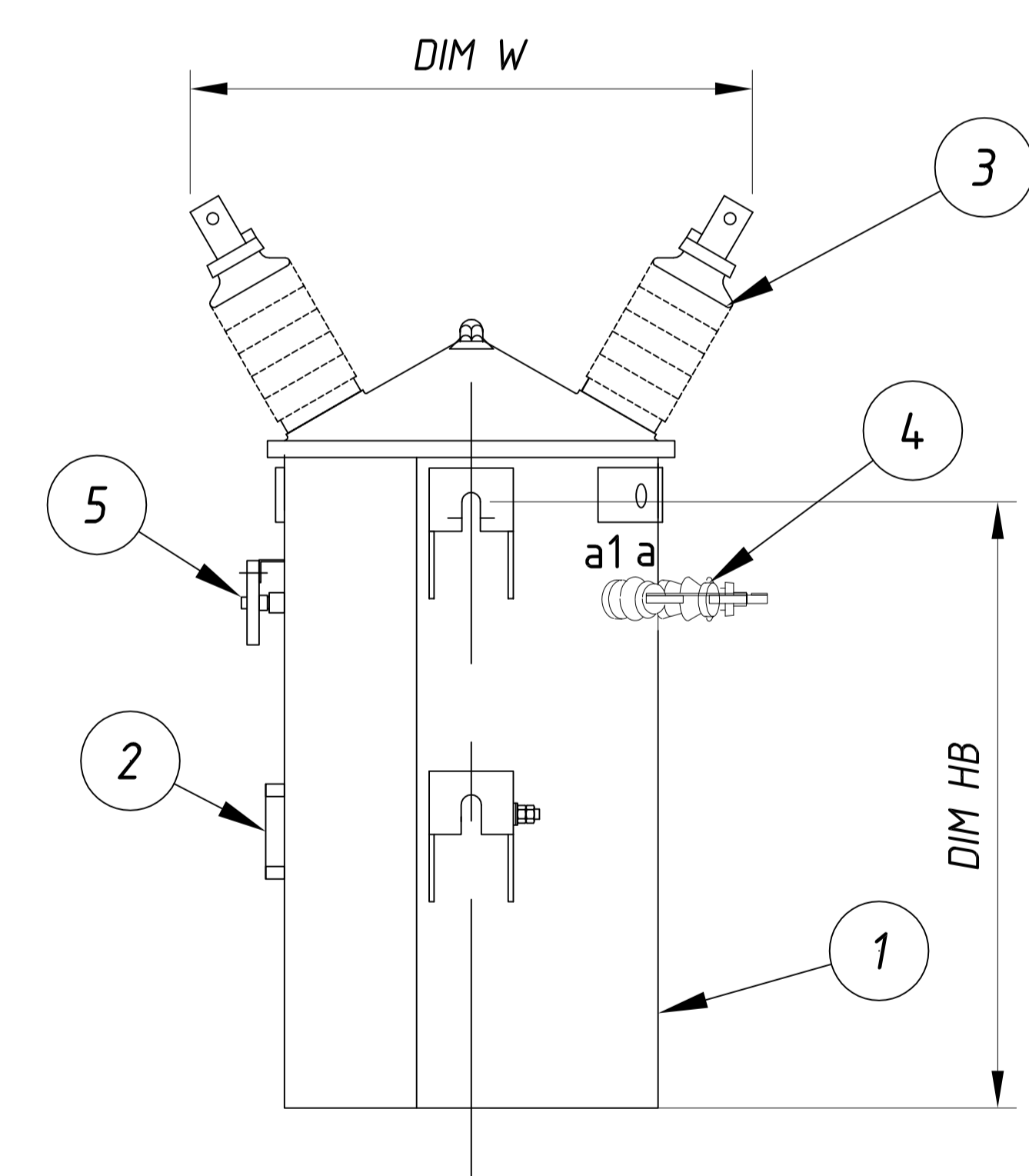


PART NO.	ESSENTIAL ENERGY No.	kVA	HV (V)	OIL VOL (L)	WEIGHT (kg)	W (mm)	L (mm)	H (mm)	HB (mm)
16M1JE	253700	16	11000	40	165	510	580	895	536
25M1JE	253730	25	11000	45	185	550	580	1100	713
50M1JE	253790	50	11000	110	375	725	710	1155	733
16M2JE	253940	16	22000	40	165	550	580	925	563
25M2JE	253970	25	22000	55	220	550	580	1135	713
50M2JE	254030	50	22000	120	400	800	710	1220	733
25M3JE	254100	25	33000	75	275	835	630	1350	843
50M3JE	254032	50	33000	160	450	880	710	1500	983



	ELECTRICAL CLEARANCES IN AIR (mm)					
	11 kV		22 kV		33 kV	
	PHASE - PHASE	PHASE - EARTH	PHASE - PHASE	PHASE - EARTH	PHASE - PHASE	PHASE - EARTH
HV	250	160	330	280	440	380
LV	100	60	100	60	100	60

CONTRACT NO. : CEOS5120.02



ITEM	DESCRIPTION
1	TESTED FINAL ASSEMBLY
2	RATING PLATE
3	PORCELAIN HV BUSHING
4	LV BUSHING, ESAA 2/3/2 14mm DIA PALM HOLE
5	TAPSWITCH
6	EARTH LUG
7	SURGE ARRESTOR MOUNTING BRACKET
8	LIFTING LUGS $\phi 32$ mm HOLE
9	SERIES-PARALLEL LINKS

TYREE INDUSTRIES PTY LTD is the owner of the copyright subsisting in this drawing and these designs, specifications and instructions. They must not be used, reproduced or copied in whole or in part, in any form by any means, nor may the information therein contained, which is confidential to TYREE INDUSTRIES PTY LTD.

This drawing has been delivered and received on the express conditions that it may be used only for the specific purpose for which it was provided, may not be used in any way which will injure or cause loss directly or indirectly to TYREE INDUSTRIES PTY LTD or any related corporation and will be returned to TYREE INDUSTRIES PTY LTD immediately on completion of the task for which it has been provided on demand.

No.	DATE:	BY:	CHK'D	APP'D	HISTORY
D	18/06/14	NM	NM	NM	Revised 0/ALL height and mass, 16/25/50 M1/M2JE
C	07/02/14	MJH	NM	NM	Given drawing number 0550-1200.
B	04/02/14	MJH	NM	NM	Updated mass, oil, weights and dims. Added dim HB.
A	05/08/11	JW			INITIAL RELEASE

**TYREE** TYREE INDUSTRIES P/L  
TYREE PLACE, MITTAGONG, NSW 2575 AUSTRALIA

3rd ANGLE PROJECTION

DEBURR & BREAK ALL SHARP EDGES

DO NOT SCALE

ABN: 12 100 920 063  
TELEPHONE: +61 2 4872 6165  
FACSIMILE: +61 2 4872 1542  
tpt.sales@tyree.com.au

UNLESS OTHERWISE SPECIFIED DIMENSIONS ARE IN MILLIMETRES  
TOLERANCES: AS NOTED  
LINEAR: AS NOTED  
ANGULAR: AS NOTED

FINISH: AS NOTED

TITLE: **1 PHASE TRANSFORMER GENERAL ARRANGEMENT LIDMOUNT PORCELAIN BUSHINGS ESSENTIAL ENERGY**

PROJECT REF: PROJECT REF  
CAD FILE  
SCALE: N.T.S.  
SHEET No. 1

DRG. No. **0550-1200** REVISION **D** **A3**