

Electrical utility style, medium voltage kiosk substations...

TYREE JE series

Built to electrical utility specifications but with a much broader range of applications.



Fully manufactured and assembled in Australia by a long-established and experienced local manufacturer

Internationally acclaimed Efacec switchgear that meets or exceeds Australian and International standards



future ready...



TYREE PART NUMBER	ESSENTIAL ENERGY ID	FULL DESCRIPTION *
11kV		
315K4JE01	251600	315kVA, 3 phase, 50Hz, 11kV/433-250 V, ONAN padmounted transformer complete with LV switchgear and HV SFU.
315K4JE02	251610	315kVA, 3 phase, 50Hz, 11kV/433-250 V, ONAN padmounted transformer complete with LV switchgear and HV RMU 3-way
315K4JE03	251640	315kVA, 3 phase, 50Hz, 11kV/433-250 V, ONAN padmounted transformer complete with LV circuit breaker and HV RMU 3-way
315K4JE04	251620	315kVA, 3 phase, 50Hz, 11kV/433-250 V, ONAN padmounted transformer complete with LV switchgear and HV RMU 4-way
500K4JE01	251680	500kVA, 3 phase, 50Hz, 11kV/433-250 V, ONAN padmounted transformer complete with LV switchgear and HV SFU
500K4JE02	251685	500kVA, 3 phase, 50Hz, 11kV/433-250 V, ONAN padmounted transformer complete with LV switchgear and HV RMU 3-way
500K4JE03	251691	500kVA, 3 phase, 50Hz, 11kV/433-250 V, ONAN padmounted transformer complete with LV circuit breaker and HV SFU
500K4JE04	251692	500kVA, 3 phase, 50Hz, 11kV/433-250 V, ONAN padmounted transformer complete with LV circuit breaker and HV RMU 3-way
500K4JE05	251693	500kVA, 3 phase, 50Hz, 11kV/433-250 V, ONAN padmounted transformer complete with LV switchgear and HV RMU 4-way
500K4JE06	251689	500kVA, 3 phase, 50Hz, 11kV/433-250 V, ONAN padmounted transformer complete with LV circuit breaker and HV RMU 4-way
750K4JE01	251700	750kVA, 3 phase, 50Hz, 11kV/433-250 V, ONAN padmounted transformer complete with LV switchgear and HV SFU
750K4JE02	251713	750kVA, 3 phase, 50Hz, 11kV/433-250 V, ONAN padmounted transformer complete with LV circuit breaker and HV SFU
750K4JE03	251710	750kVA, 3 phase, 50Hz, 11kV/433-250 V, ONAN padmounted transformer complete with LV switchgear and HV RMU 3-way
750K4JE04	251714	750kVA, 3 phase, 50Hz, 11kV/433-250 V, ONAN padmounted transformer complete with LV circuit breaker and HV RMU 3-way
1000K4JE01	251719	1000 kVA, 3 phase, 50Hz, 11kV/433-250 V, ONAN padmounted transformer complete with LV switchgear and HV RMU 4-way
1000K4JE02	251722	1000kVA, 3 phase, 50Hz, 11kV/433-250 V, ONAN padmounted transformer complete with LV switchgear and HV SFU
1000K4JE03	251731	1000kVA, 3 phase, 50Hz, 11kV/433-250 V, ONAN padmounted transformer complete with LV circuit breaker and HV SFU
1000K4JE04	251725	1000kVA, 3 phase, 50Hz, 11kV/433-250 V, ONAN padmounted transformer complete with LV switchgear and HV RMU 3-way
1000K4JE05	251732	1000kVA, 3 phase, 50Hz, 11kV/433-250 V, ONAN padmounted transformer complete with LV circuit breaker and HV RMU 3-way
1000K4JE06	251733	1000kVA, 3 phase, 50Hz, 11kV/433-250 V, ONAN padmounted transformer complete with LV circuit breaker and HV RMU 4-way
22kV		
315K5JE01	251753	315 kVA, 3 phase, 50Hz, 22kV/433-250 V, ONAN padmounted transformer complete with LV switchgear and HV SFU
315K5JE02	251754	315 kVA, 3 phase, 50Hz, 22kV/433-250 V, ONAN padmounted transformer complete with LV switchgear and HV RMU 3-way
500K5JE01	251757	500 kVA, 3 phase, 50Hz, 22kV/433-250 V, ONAN padmounted transformer complete with LV switchgear and HV SFU
500K5JE02	251758	500 kVA, 3 phase, 50Hz, 22kV/433-250 V, ONAN padmounted transformer complete with LV switchgear and HV RMU 3-way
500K5JE03	251759	500 kVA, 3 phase, 50Hz, 22kV/433-250 V, ONAN padmounted transformer complete with LV circuit breaker and HV SFU
500K5JE04	251760	500kVA, 3 phase, 50Hz, 22kV/433-250 V, ONAN padmounted transformer complete with LV circuit breaker and HV RMU 3-way
500K5JE05	251761	500kVA, 3 phase, 50Hz, 22kV/433-250 V, ONAN padmounted transformer complete with LV switchgear and HV RMU 4-way
1000K5JE01	251786	1000 kVA, 3 phase, 50Hz, 22kV/433-250 V, ONAN padmounted transformer complete with LV switchgear and HV SFU
1000K5JE02	251787	1000 kVA, 3 phase, 50Hz, 22kV/433-250 V, ONAN padmounted transformer complete with LV switchgear and HV RMU 3-way
1000K5JE03	251788	1000 kVA, 3 phase, 50Hz, 22kV/433-250 V, ONAN padmounted transformer complete with LV circuit breaker and HV SFU
1000K5JE04	251789	1000 kVA, 3 phase, 50Hz, 22kV/433-250 V, ONAN padmounted transformer complete with LV circuit breaker and HV RMU 3-way
1000K5JE05	251791	1000 kVA, 3 phase, 50Hz, 22kV/433-250 V, ONAN padmounted transformer complete with LV circuit breaker and HV RMU 4-way
1500K5JE01	251793	1500 kVA, 3 phase, 50Hz, 22kV/433-250 V, ONAN padmounted transformer complete with LV circuit breaker and HV SCBU
1500K5JE02	251794	1500 kVA, 3 phase, 50Hz, 22kV/433-250 V, ONAN padmounted transformer complete with LV circuit breaker and HV RMU 3-way with circuit breaker
1500K5JE03	251795	1500 kVA, 3 phase, 50Hz, 22kV/433-250 V, ONAN padmounted transformer complete with LV circuit breaker and HV RMU 4-way with circuit breaker
1500K5JE04	251796	1500 kVA, 3 phase, 50Hz, 22kV/433-250 V, ONAN padmounted transformer complete with LV circuit breaker + 7 switchfuse units and HV RMU 4-way with circuit breaker
33kV		
160K6JE01	251800	160kVA, 3 phase, 50Hz, 33kV/433-250 V, ONAN padmounted transformer complete with LV switchgear and HV RMU 3-way
500K6JE01	251810	500kVA, 3 phase, 50Hz, 33kV/433-250 V, ONAN padmounted transformer complete with LV switchgear and HV RMU 4-way
500K6JE02	251840	500kVA, 3 phase, 50Hz, 33kV/433-250 V, ONAN padmounted transformer complete with LV circuit breaker and HV RMU 4-way
1000K6JE01	251820	1000kVA, 3 phase, 50Hz, 33kV/433-250 V, ONAN padmounted transformer complete with LV switchgear and HV RMU 4-way
1000K6JE02	251850	1000kVA, 3 phase, 50Hz, 33kV/433-250 V, ONAN padmounted transformer complete with LV circuit breaker and HV RMU 4-way
1500K6JE01	251830	1500kVA, 3 phase, 50Hz, 33kV/433-250 V, ONAN padmounted transformer complete with LV circuit breaker and HV RMU 4-way

A range of other brochures are available for download at www.tyree.com.au including:

Pole Mounts



Power Transformers



Mobile Substations



Traction



Ground Mounts



Mining Substations



Customised kiosk designs are available. Contact the Tyree Sales team on **(02) 4872 6177** for other MV and LV configurations.

* Refer to Approved Material List for more information



Quality ISO 9001 SAI GLOBAL



Ph: 02 4872 6177 | Fax: 02 4871 3488 | sales@tyree.com.au | www.tyree.com.au

TYREE JE series

Utility style, medium voltage kiosk substations

Tyree Transformers manufactures utility style, medium voltage, kiosk substations, primarily built for use on utility networks but with a much broader range of applications.

The internationally acclaimed Efacec switchgear has now been accepted by one of the largest utilities in Australia - a medium voltage switchgear option that provides operational simplicity and safe in-field performance that meets or

exceeds Australian and International standards.

The JE series of utility style pad mount kiosk substations is manufactured and assembled in NSW, Australia by Tyree Industries in a purpose built factory by specifically trained and experienced personnel. Local customer lead-time requirements, budgets, technical standards and operating conditions have all been taken into consideration.

This range of kiosk products will now be installed on one of Australia's largest electricity networks - delivering network services to more than 800,000 homes and businesses across 95% of NSW, parts of southern Queensland and northern Victoria.



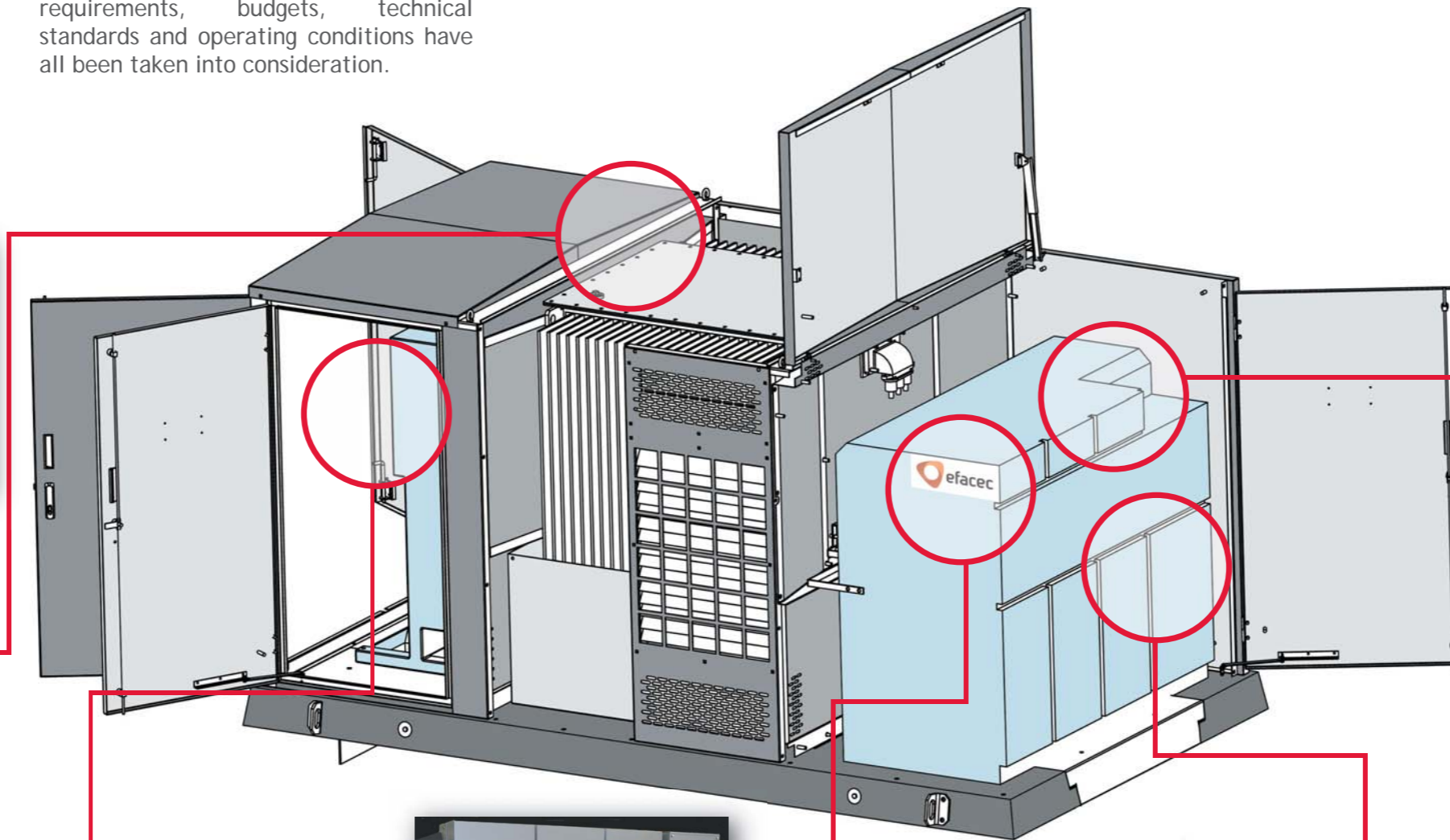
Benefits

Efacec is an expert in equipment and solutions for Medium and High Voltage electrical networks. The Efacec Switchgear business unit has more than 50 years experience in the development, production and sales of solutions for electrical Transmission and Distribution systems.

- project responsive lead times
- flexibility in design
- local technical and logistical support
- emergency supply response capability
- improved supply chain certainty
- approved by electricity utility
- locally stocked & manufactured components
- environmentally responsible design, fully internally banded to contain oil spillage
- engineered concrete plinth with removable cable access points
- personnel and operator safety assurance
- conforms to all Australian safety standards



1000kVA 11kV substation to electrical utility specification. Elongated style in Stainless Steel enclosure with 4-way RMU and LV board with C/B. Designed and produced in Mittagong, NSW.



- Transformer fuse switch function with spring charged trip, activated by lever, fuse expulsion or solenoid activation.
- Fault current indicators fitted to two of the functions for fault tripping.
- SF6 pressure gauge
- Clear indications of switch position



LV board with isolator, provision for fuse strips, generator connection point and C/B: many other configurations available. (Refer to selection chart)



EFACEC 12/24kV 4 way unit with 3 switch functions and 1 fused transformer function. Test bushings accessible under covers on front at top

EFACEC MV switchgear is designed to provide the optimum level of safety for operators

